

INDEX: page(s)

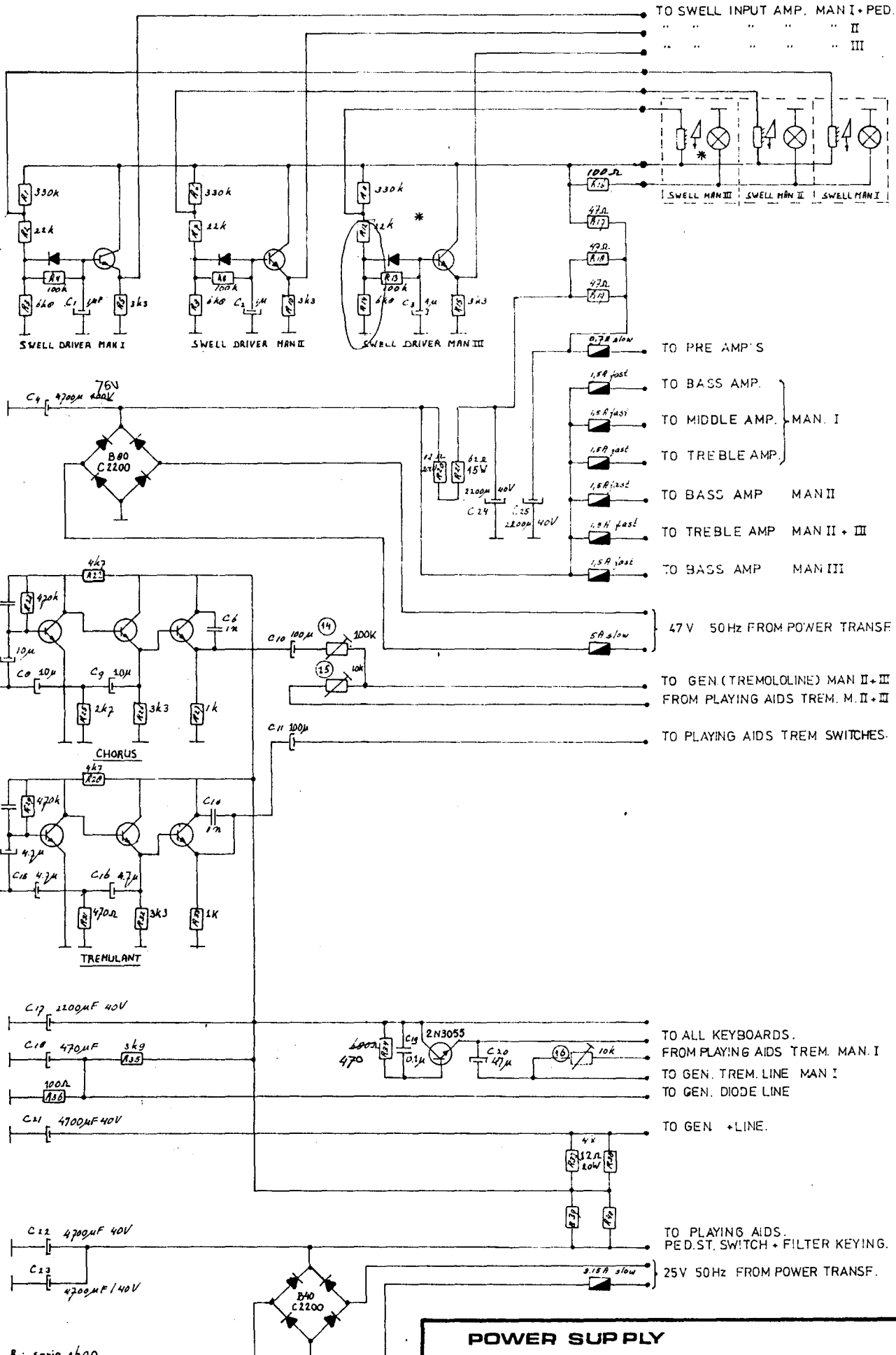
SIGNAL AND POWER BLOCK DIAGRAM	1
POWER SUPPLY	2
GENERATORS AND DIVIDERS	3
KEYING PEDAAL	4
KEYING MANUAL I	5
KEYING MANUAL II&III	6
PRE AMP PEDAAL	7
PRE AMP MANUAL I	8
VOORSpraak	9
TONGWERK	10
PRE AMP MANUAL II	11
PRE AMP MANUAL III	12
FILTERS PEDAAL	13
FILTERS MANUAL I	14/15
FILTERS MANUAL II	16
FILTERS MANUAL III	17/18
UNIVERSAL AMPLIFIER CIRCUIT	19
MATRIX & SPEELHULPEN	20/21
CONTROLS	22
ECHO AND REVERBERATION	23

SIGNAL & POWER BLOCK DIAGRAM

date	design	drawn	modified	JOHANNUS ORGEL
28-6-74	J.Versteegt	G.J. Stoffler		
				Type: H-3
ELECTRONIUM				rel. 00385
copyright J.Versteegt				Tuinstraat 10 Veendam Holland 10220
				page 1

- 140
- 150
- 160

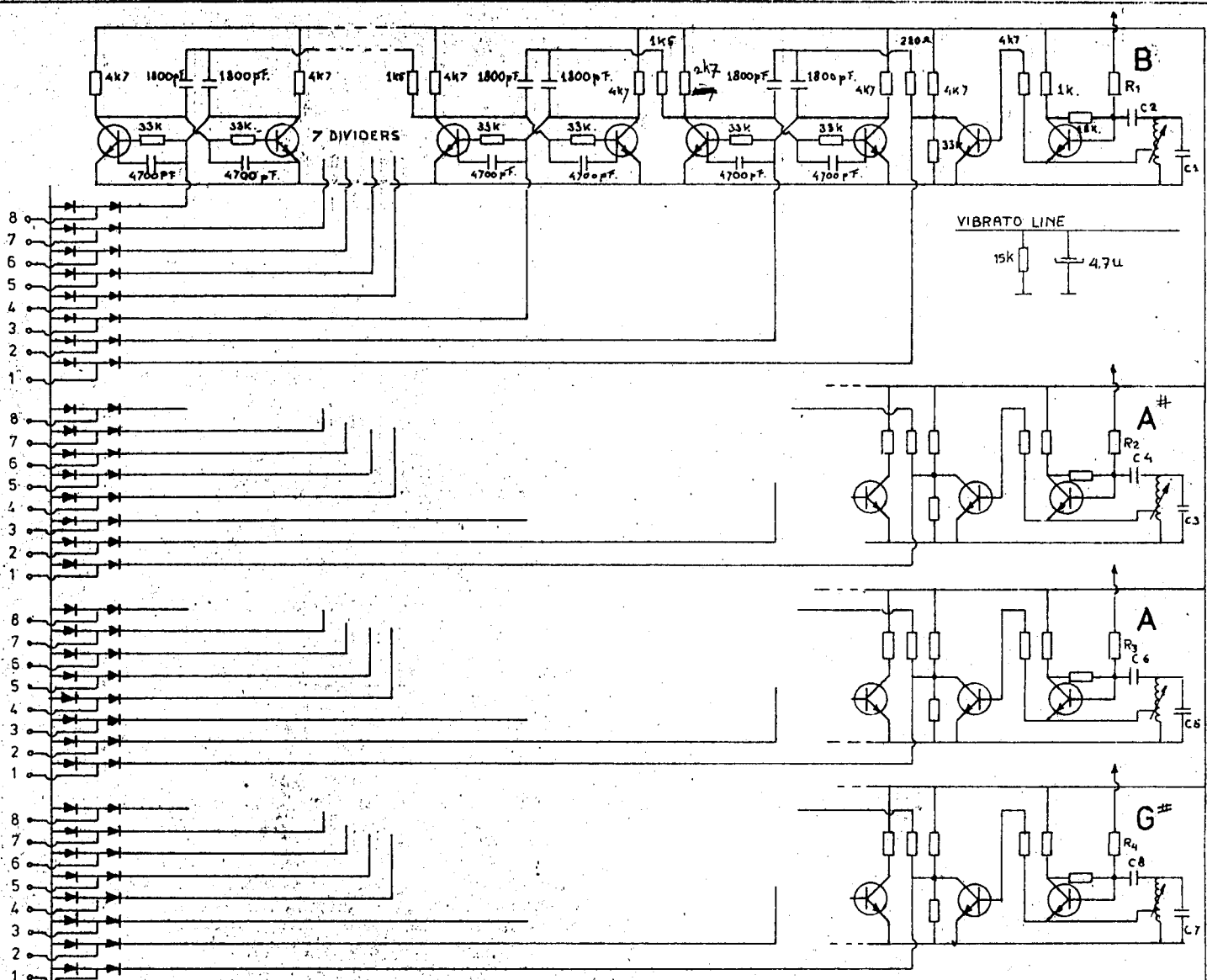
- 12 = SPEED CHORUS
- 13 = SPEED TREMULANT
- 14 = DEPTH CHORUS
- 15 = DEPTH TREMULANT
- 16 = DEPTH TREMULANT



R : serie 1600
 C : serie 300
 E : serie 200
 T : BE 239 b

POWER SUPPLY				JOHANNUS ORGEL	
date	design	drawn	modified	Type: H-3	
27-6-74	J.Versteeg	G.Stoffer	31-04-74		
ELECTRONIUM				page: 2	
Copyright J.Versteeg				Tuinstraat 10 Veenendaal Holland	
				Tel: 08385 10220	

* 3^e SWELL. VAN TOEPASSING BIJ H3 VANAF SERIE No:

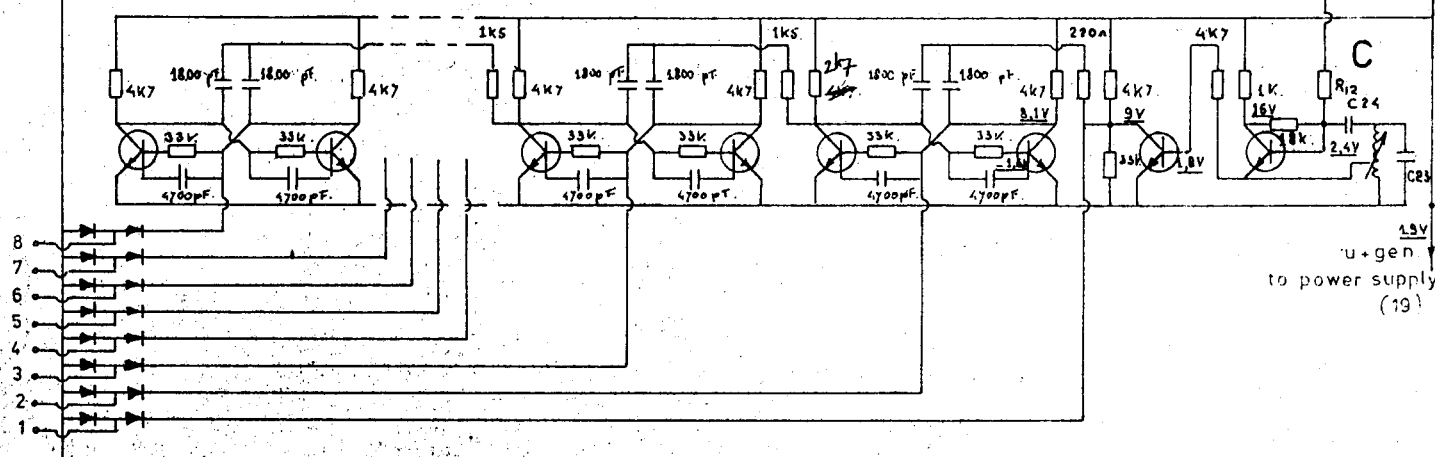


TO KEYING CIRCUITS

- C 1 = 12.000 pF.
- C 2 = 12.000 pF.
- C 3 = 15.000 pF.
- C 4 = 15.000 pF.
- C 5 = 15.000 pF.
- C 6 = 15.000 pF.
- R 1 = 22 kΩ
- R 2 = 18 kΩ
- R 3 = 18 kΩ
- C 7 = 15.000 pF.
- C 8 = 18.000 pF.
- C 9 = 18.000 pF.
- C 10 = 18.000 pF.
- C 11 = 18.000 pF.
- C 12 = 18.000 pF.
- R 4 = 18 kΩ
- R 5 = 18 kΩ
- R 6 = 18 kΩ
- C 13 = 22.000 pF.
- C 14 = 22.000 pF.
- C 15 = 27.000 pF.
- C 16 = 22.000 pF.
- C 17 = 27.000 pF.
- C 18 = 27.000 pF.
- R 7 = 18 kΩ
- R 8 = 18 kΩ
- R 9 = 15 kΩ
- C 19 = 27.000 pF.
- C 20 = 33.000 pF.
- C 21 = 33.000 pF.
- C 22 = 33.000 pF.
- C 23 = 33.000 pF.
- C 24 = 38.000 pF.
- R 10 = 15 kΩ
- R 11 = 15 kΩ
- R 12 = 15 kΩ

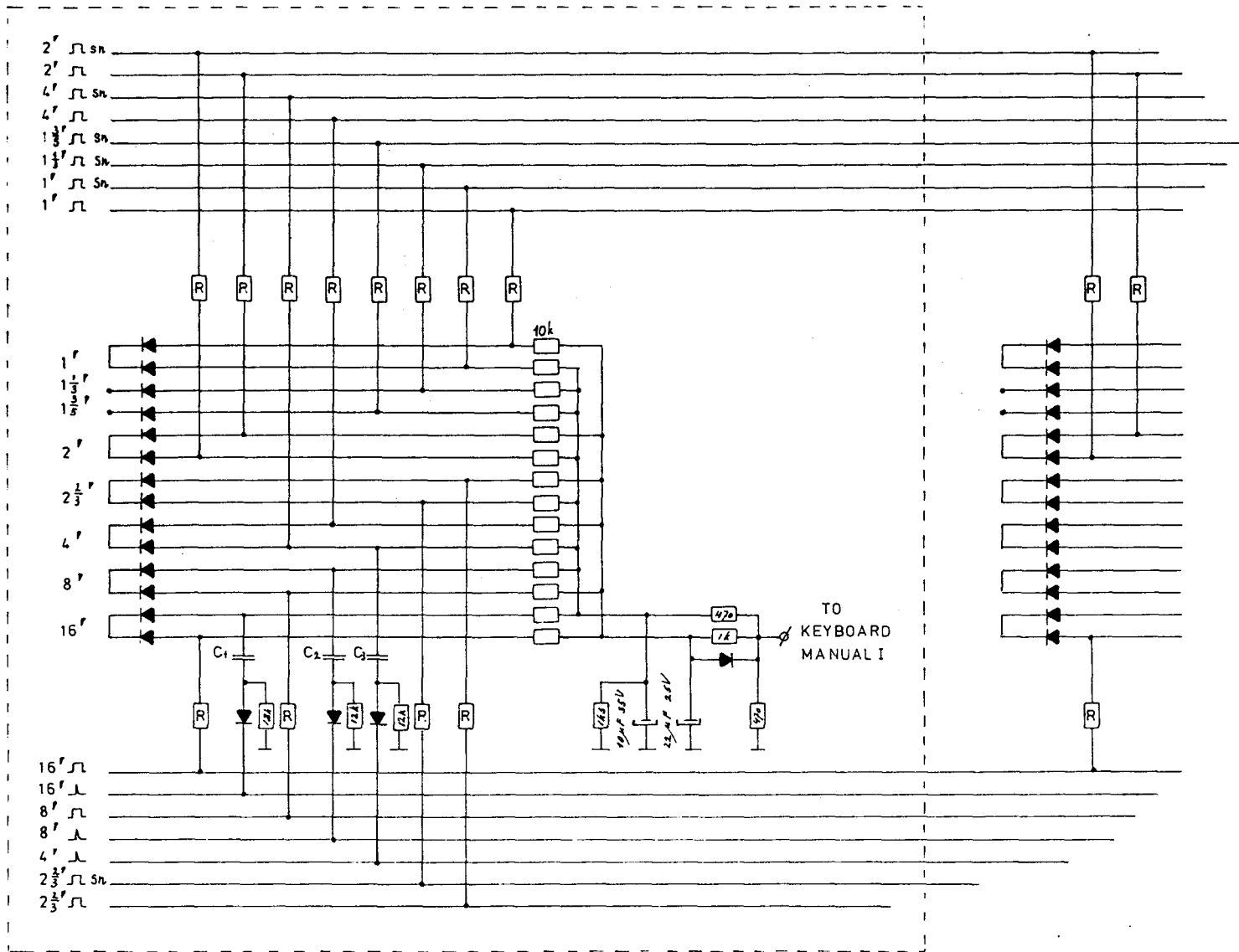
C# - G

VIBRATO LINE TO POWER SUPPLY (15)



(0.4V) diodes line power supply (20)

GENERATORS AND DIVIDERS				JOHANNUS ORGEL	
DATE	DESIGN.	DRAWN	MODIFIED	TYPE	
2-11-72	J. VERSTEEG	C. DUK		H - 3	
16-11-72			HT.W.		
4-12-73			A.H.K.		
ELECTRONIUM: TUINSTRAAT 10, VEENENDAAL - HOLLAND 06505, 10220				PAGE NO	3

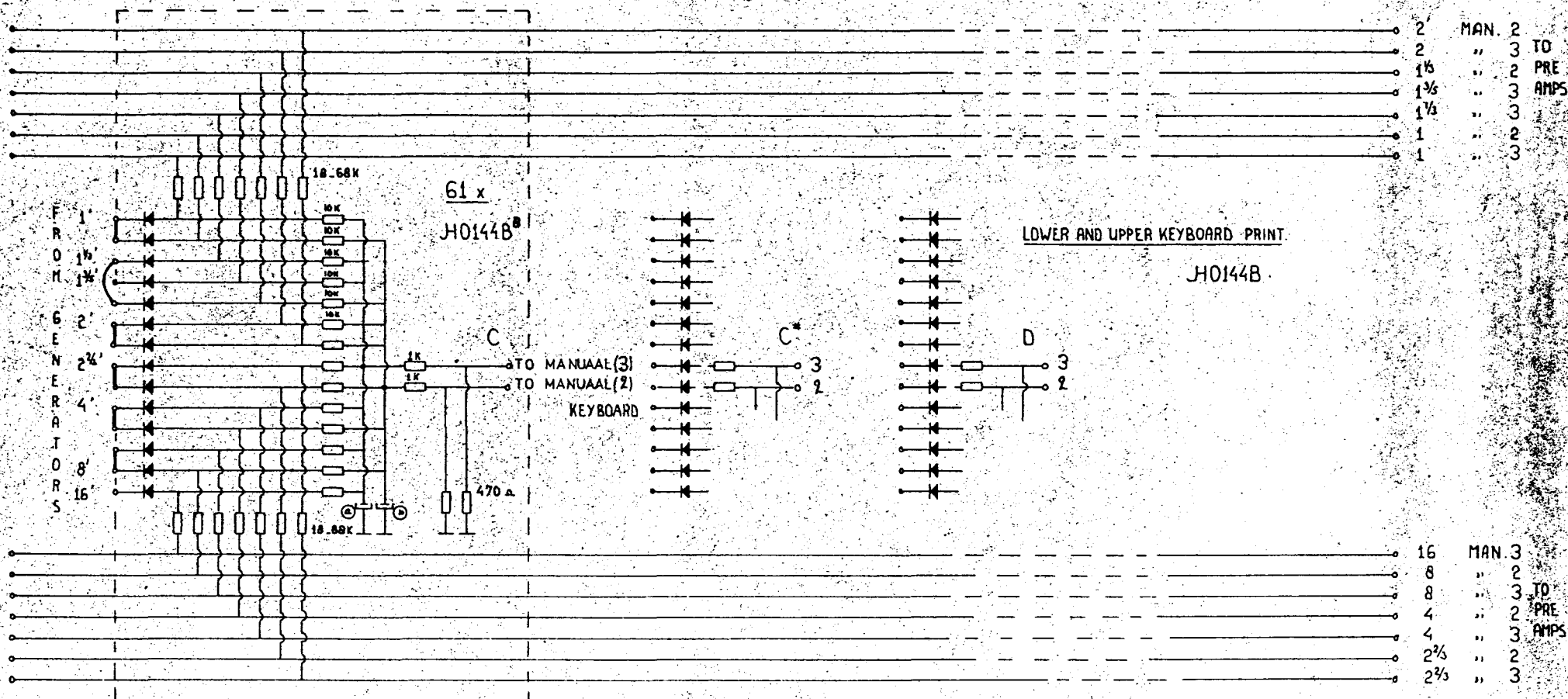


	C1	C2	C3
vanaf hoogste oct1 -13	6n8	6n8	1n8
14-25	10n	10n	4n7
26-37	15n	15n	10n
38-49	22n	22n	15n
50-61	33n	33n	22n

vanaf hoogste octaaf:	R
1- 7	18K
8- 14	22K
15- 21	27K
22-29	33K
30- 37	39K
38- 45	47K
46-53	56K
54-61	68K

61x

KEYING MANUAL I				
date	design	drawn	modified	JOHANNUS ORGEL
19-6-'74	J.Versteegt	GJSloffer		
				Type: H-3
ELECTRONIUM		Tel: 00305		page: 5
copyright J.Versteegt	Tuinstraat 10 Vaenendaal Holland 10220			

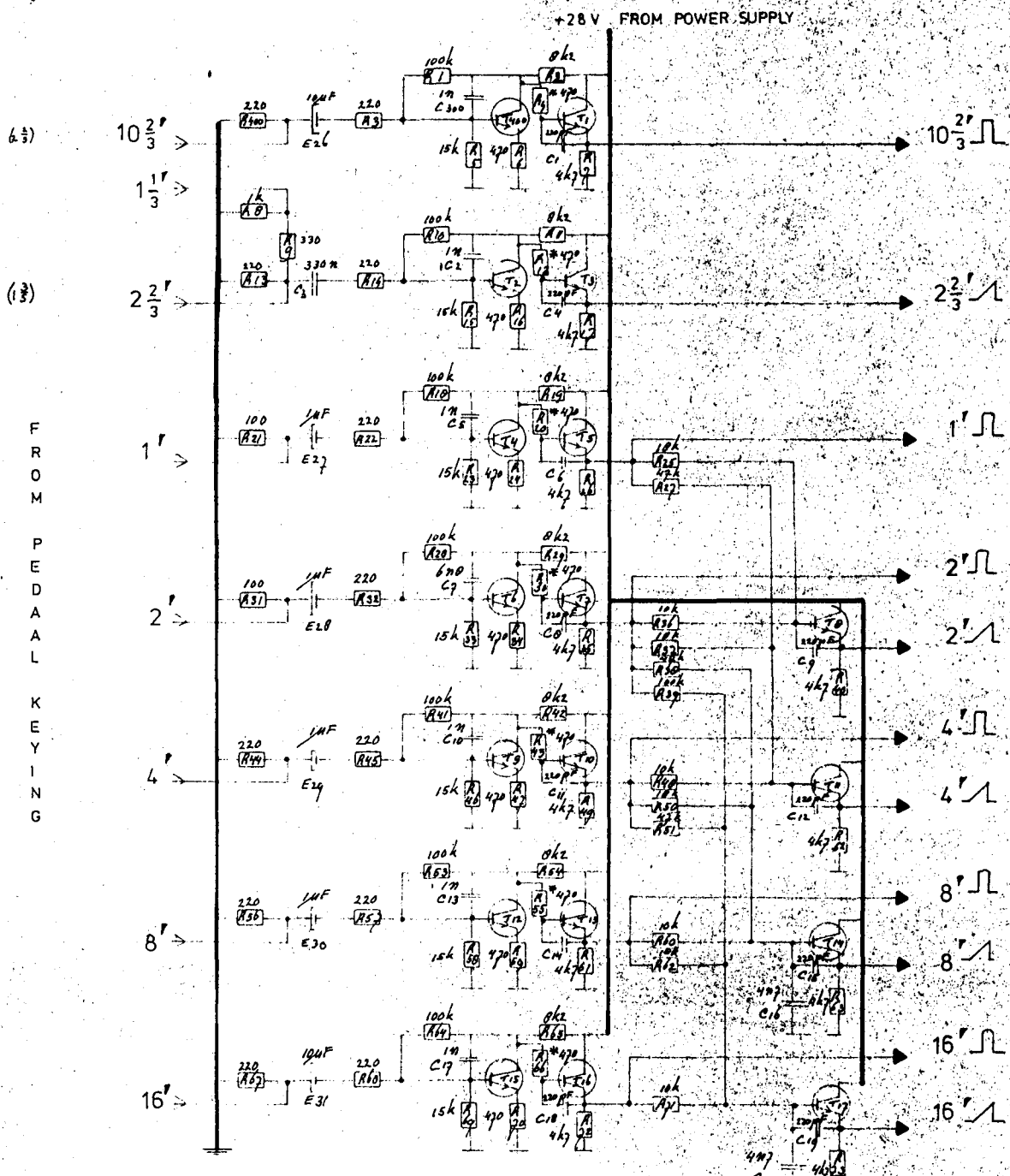


Ⓐ C voor MAN 3 vanaf hoogste oct.: 14X C=4,7µF 10X C=10µF 37X C=22µF

Ⓑ C voor MAN 2 vanaf hoogste oct.: 20X C=4,7µF 10X C=10µF 31X C=22µF

KEYING MANUAL II & III

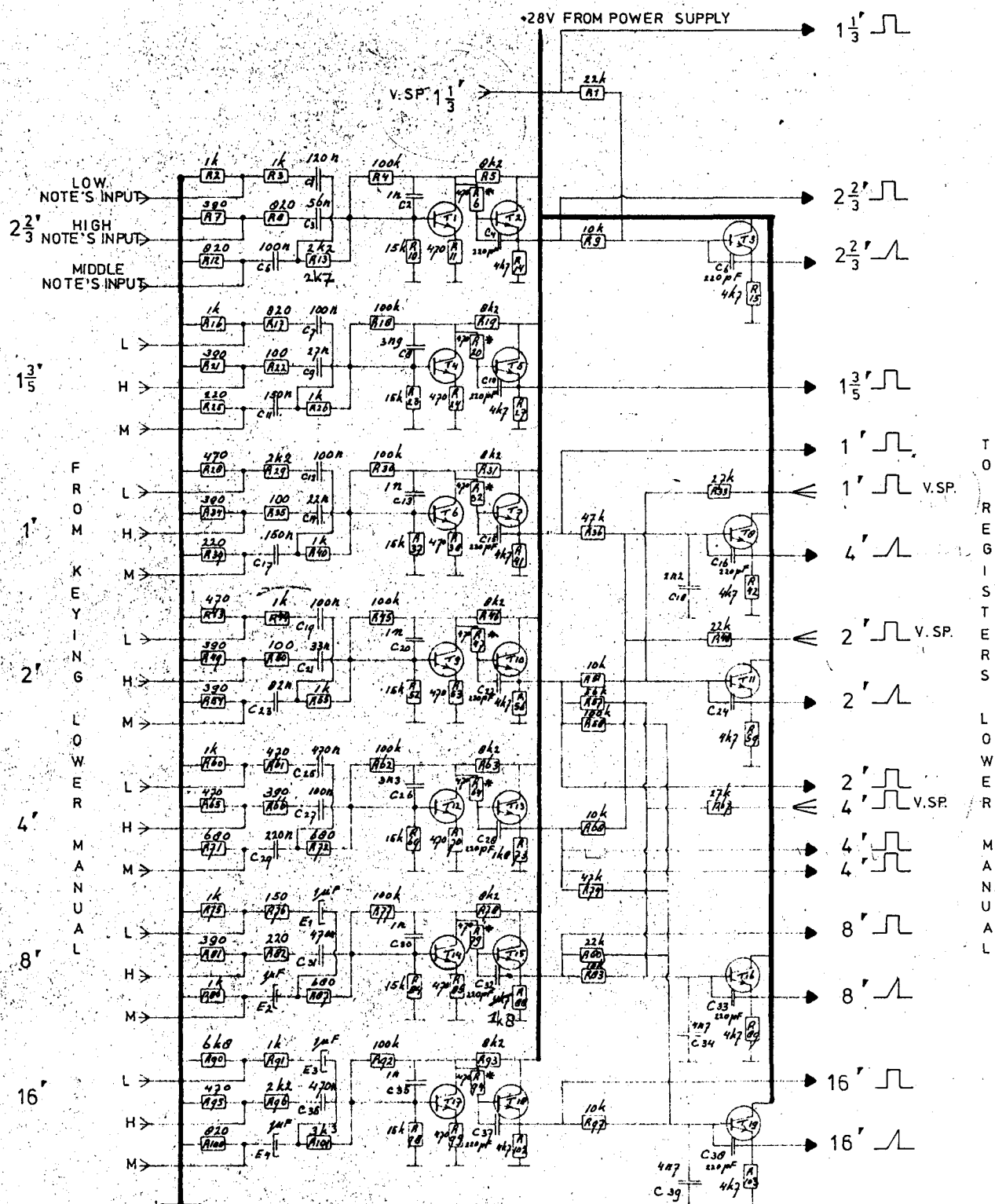
DATE	DESIGN	DRAWN	MODIFIED	JOHANNUS ORGEL	
19-6-74	I. Versteeg	E. Staffer		TYPE: H-3	
ELECTRONIUM				PIECE N° 6	
COPYRIGHT: I. VERSTEEGT TUINSTRAT 10 VEENENDAAL HOLLAND / TEL. 04385 - 60301					



* van toep op nieuwe print.
 T = BC 239b serie 400
 C serie 300
 R serie 400
 E serie 025

JH0 146

PRE AMP PEDAAL				
date	design	drawn	modified	JOHANNUS ORGEL
18-6-77	J. Vouteast	G.J. Stollen		
				H-3
ELECTRONIUM				
copyright J. Vouteast - elektronica's vereniging Nederland - 1977				



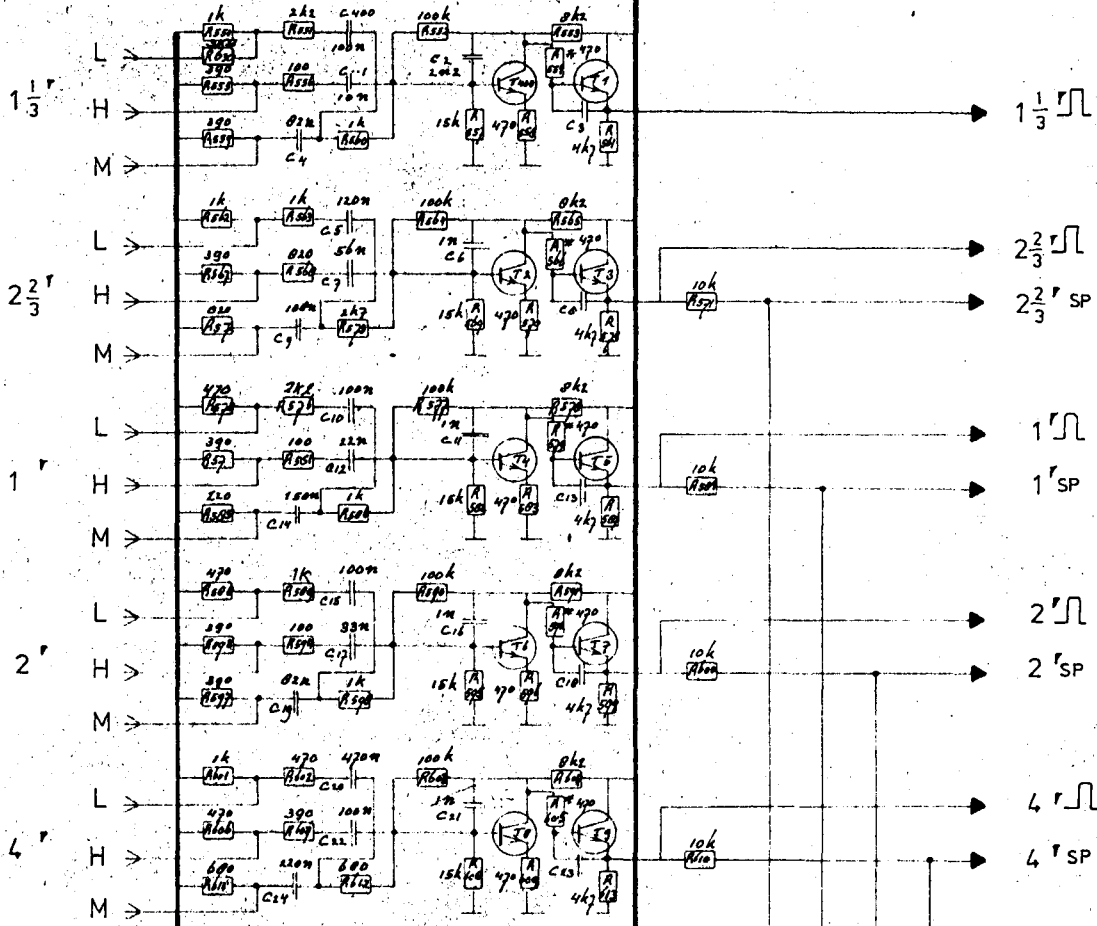
T = BC 239 b
 * van toep. op nieuwe print.

JHO 146

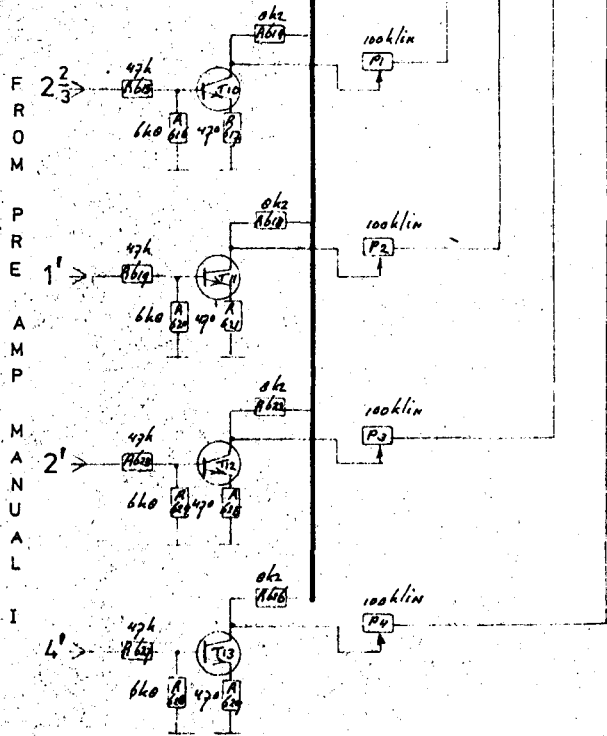
PRE AMP LOWER MANUAL				
date	design	drawn	modified	JOHANNUS ORGEL
12-6-74	J.Versteeg	GJS		
				TYPE H-3
ELECTRONIUM				tel: 0838-10220
copyright J.Versteeg				tuinstraat 10 Veendam Holland
				PAGE NO: 8

+ 28V FROM POWER SUPPLY

FROM B C KEYING MANUAL I



TO REGISTERS MANUAL I



JHO 314

* v. loop. op nieuwe print
T = DE 23g b serie 400
C serie 400
P serie 000

VOORSpraak

date design drawn modified
17-6-74 J. Venteegh, G.J. Stoffler

JOHANNUS ORGEL

TYPE **H-3**

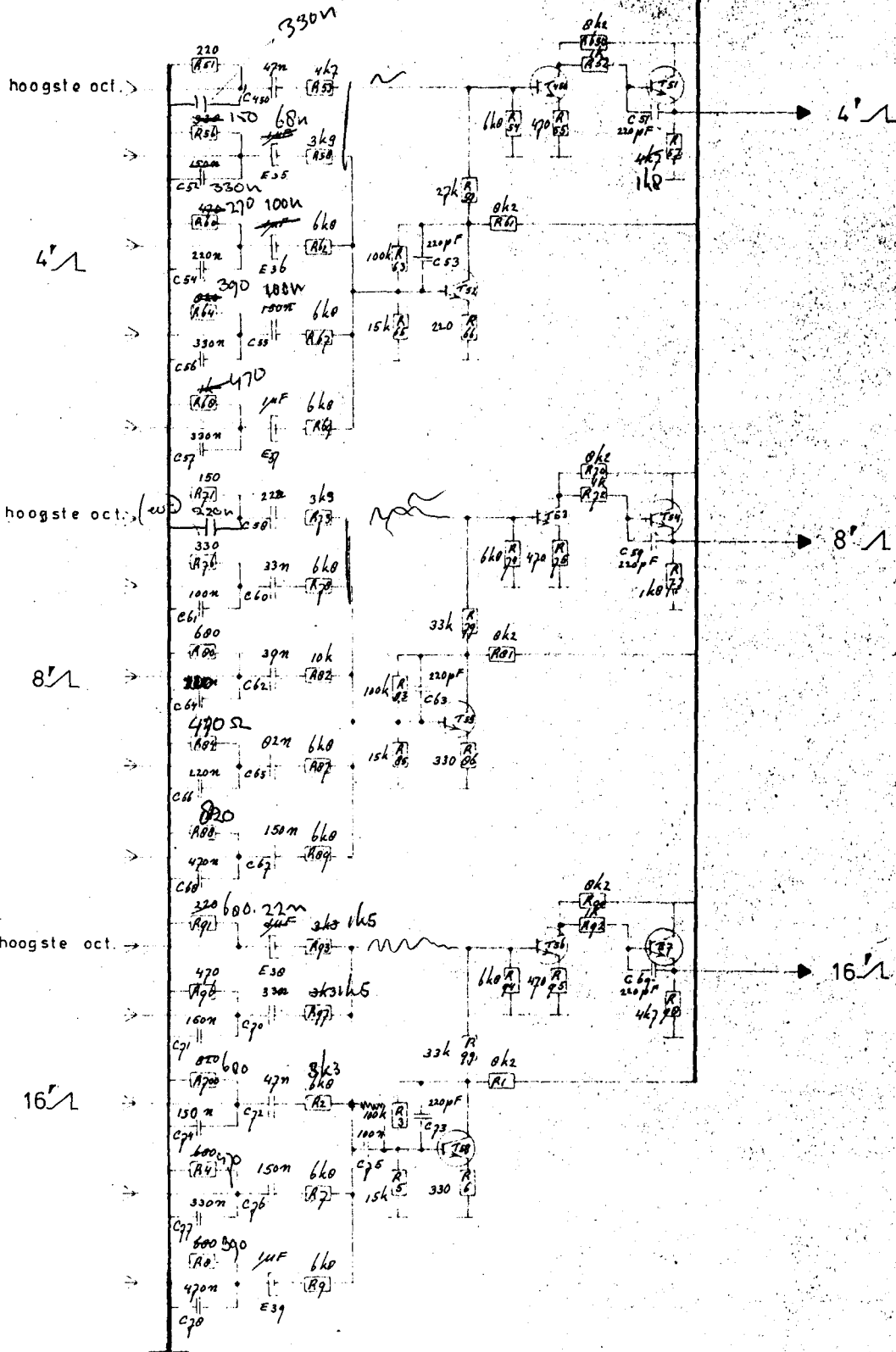
ELECTRONIUM

page **9**

28V FROM POWER SUPPLY

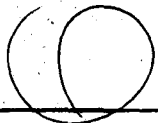
FROM T W KEYING

TO T W REGISTERS



HC 315

T = BC 239h serie 450
 R serie 650
 C serie 450
 E serie 035

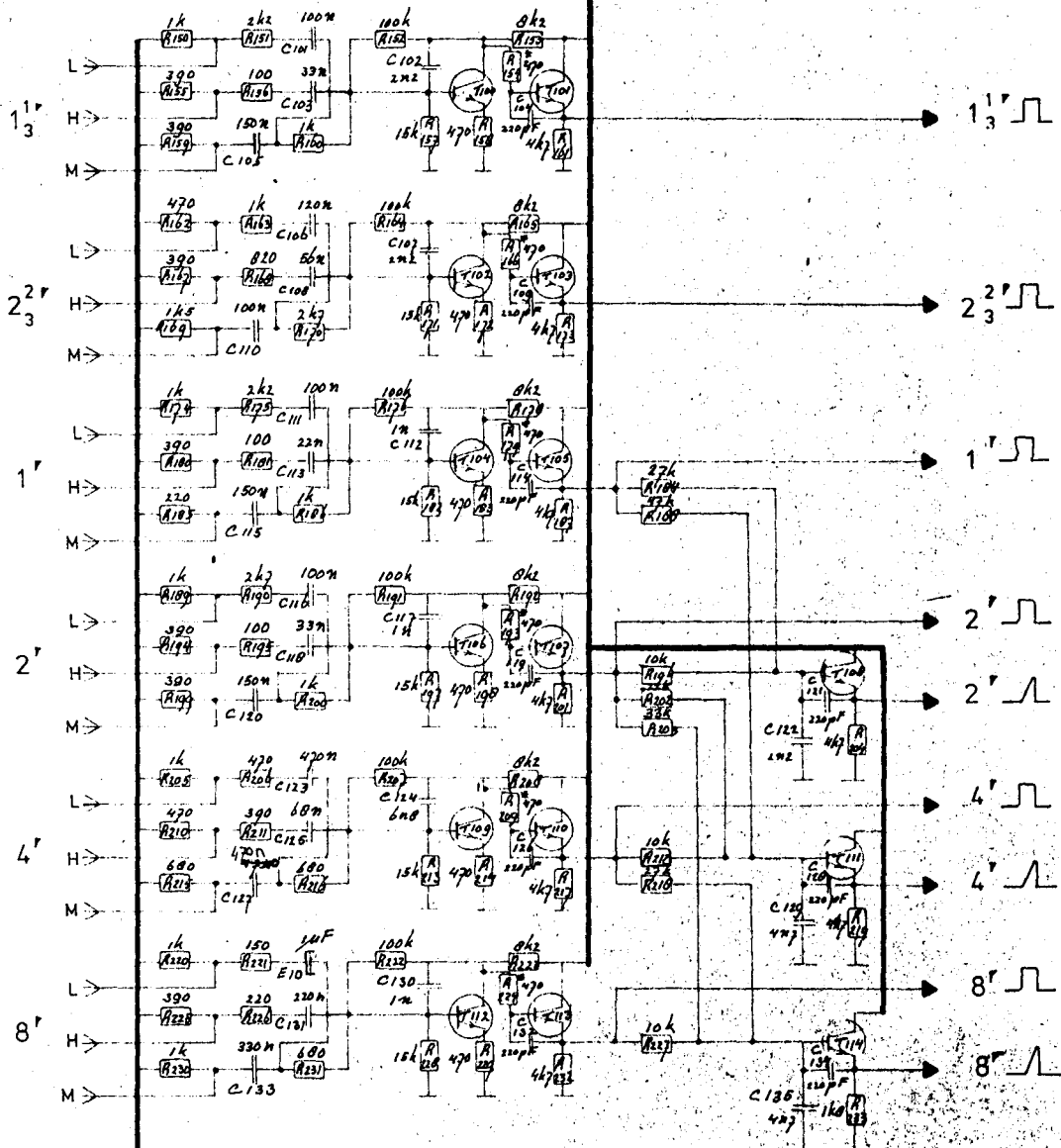


TONGWERK			
Date	Design	Drawn	Modified
18-6-74	J. Versteegh	G.J. Stoffler	
			JOHANNUS ORGEL
			H-3
ELECTRONIUM		Tel: 08305	Page: 10
copyright Versteegh		- instructie te Veendam, Holland	

+28V FROM POWER SUPPLY

FROM KEYING MANUAL I

TO REGISTER MANUAL I



* van toepassing op nikwv print
T = BC 239 h

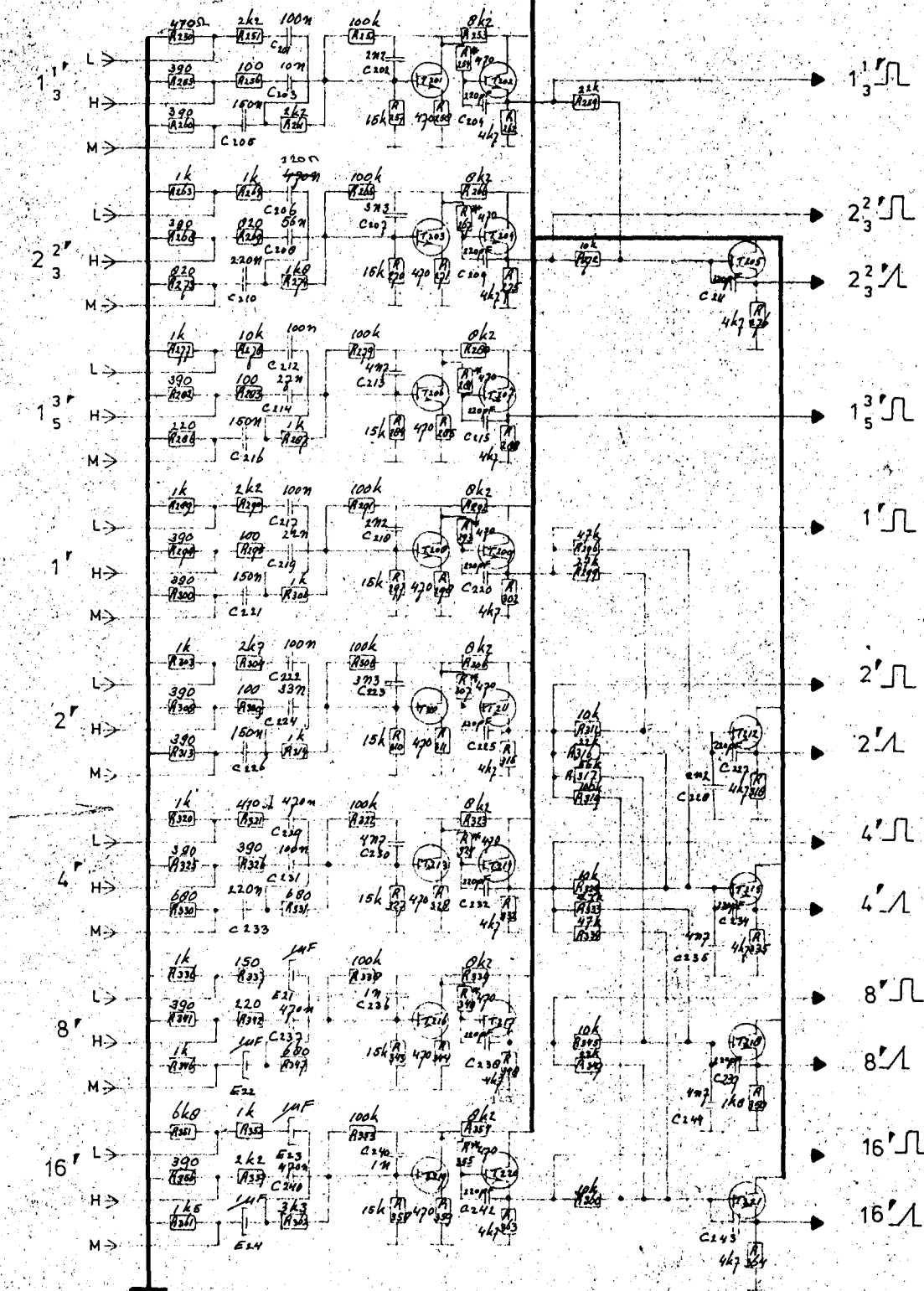
JHO 146

PRE AMP MAN II				
DATE	DESIGN	DRAWN	MODIFIED	JOHANNUS ORGEL
13-6-74	Verspreeg	GJ Staffer		
				TYPE H-3
ELECTRONIUM				Tel. 04505
Copyright J. Verspreeg				page 17
TULSTERDAAL 10 Jeckenwaard Holland 10110.				

+28 V FROM POWER SUPPLY

FROM KEYING MANUAL III

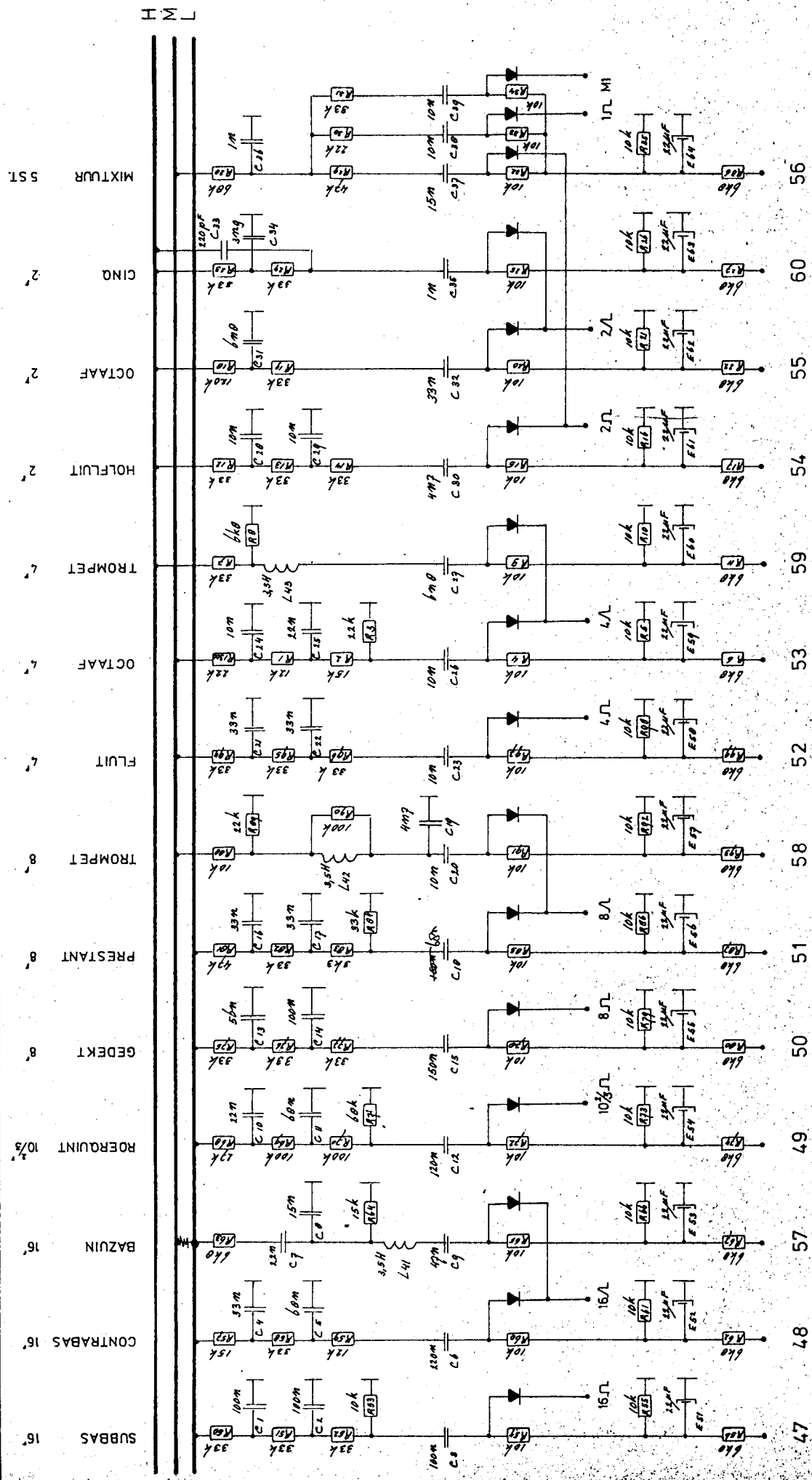
TO REGISTERS MANUAL III



* van toepassing op nieuwe print.
T = BC 239 b

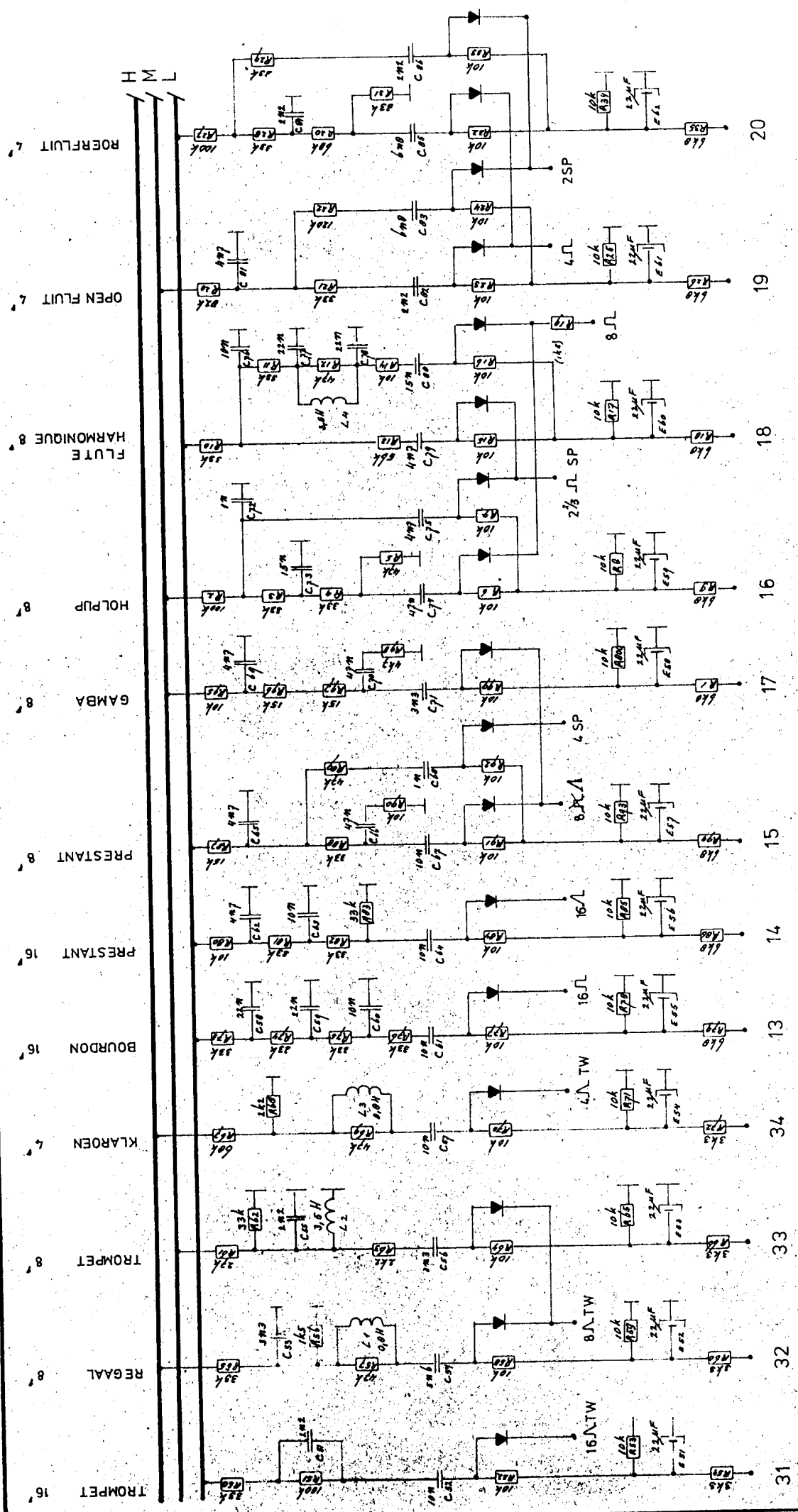
JH 146

PRE AMP MAN III				
date	design	drawn	modified	JOHANNUS ORGEL
14-6-74	Versteeg	GJStoffer		
				TYPE H-3
ELECTRONIUM			Tel. 08385-10220	page 12
copyright	Versteeg	Tuinstraat 40	Veendam, HOLLAND	



D : S01
 R : serie 1250
 C : serie 700
 E : serie 050
 L : serie 040

FILTER PEDAAL		JOHANNUS ORGEL		Type H-3	
date	design	drawn	modified		
24-6-74	J. Versteeg	G. J. Slaffer			
copyright	J. Versteeg	Thuisstraat 10	Veendam	Holland	
					13

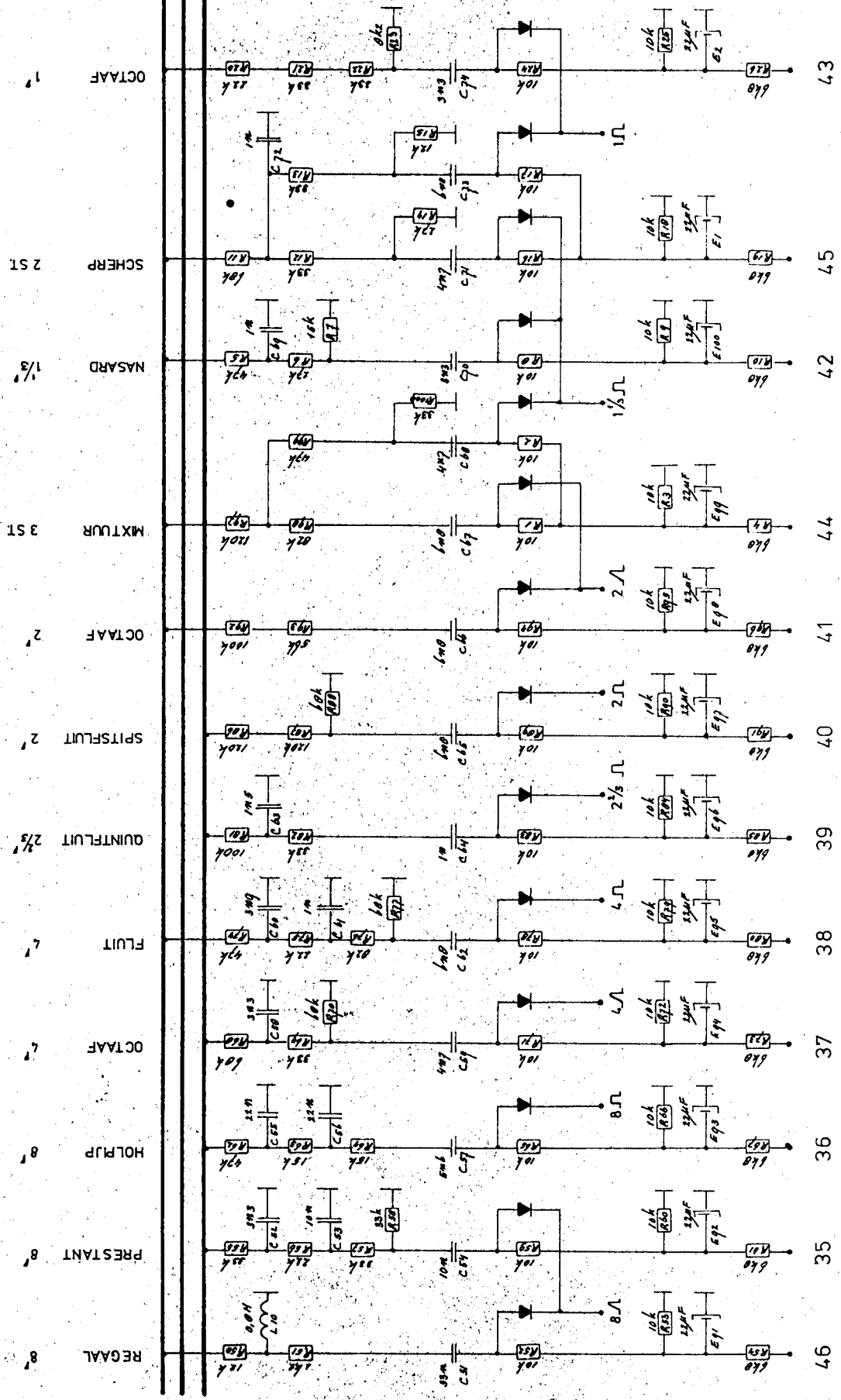


D : 501
 R : serie 750
 C : serie 450
 E : serie 050
 L : serie 000

FILTERS MAN. I

date	design	drawn	modified
	2-0-6-74	J. Versteg	G. J. Stoffler
copyright	ELECTRONIUM		
	Type H-3		
	14		
	Tuisbroek to Venendaal, Hellaard 10220		

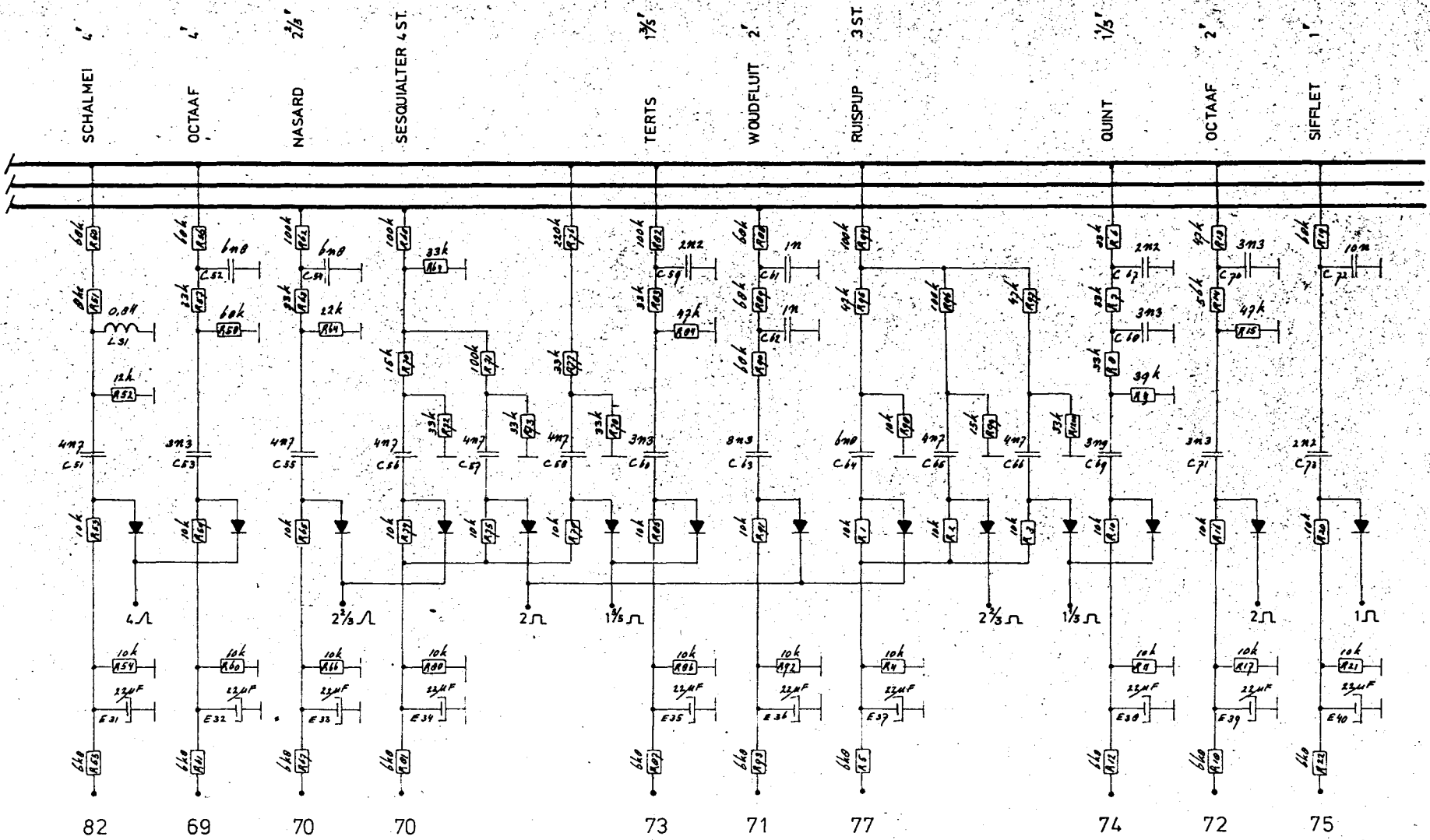
L
M
H



D : S01
 R : serie 950
 C : serie 550
 E : serie 090
 L : serie 010

FILTER MAN II

Date		design		drawn		modified	
24-6-74		Versteegt		GJStoffer			
Type:		H-3					
Page:		16					
Copyright:		Versteegt					
Manufacturer:		ELECTRONIUM					
Address:		Thuisstraat 10 Beereendaal, Holland					
Tel. No.:		04366					
Fax No.:		10330					

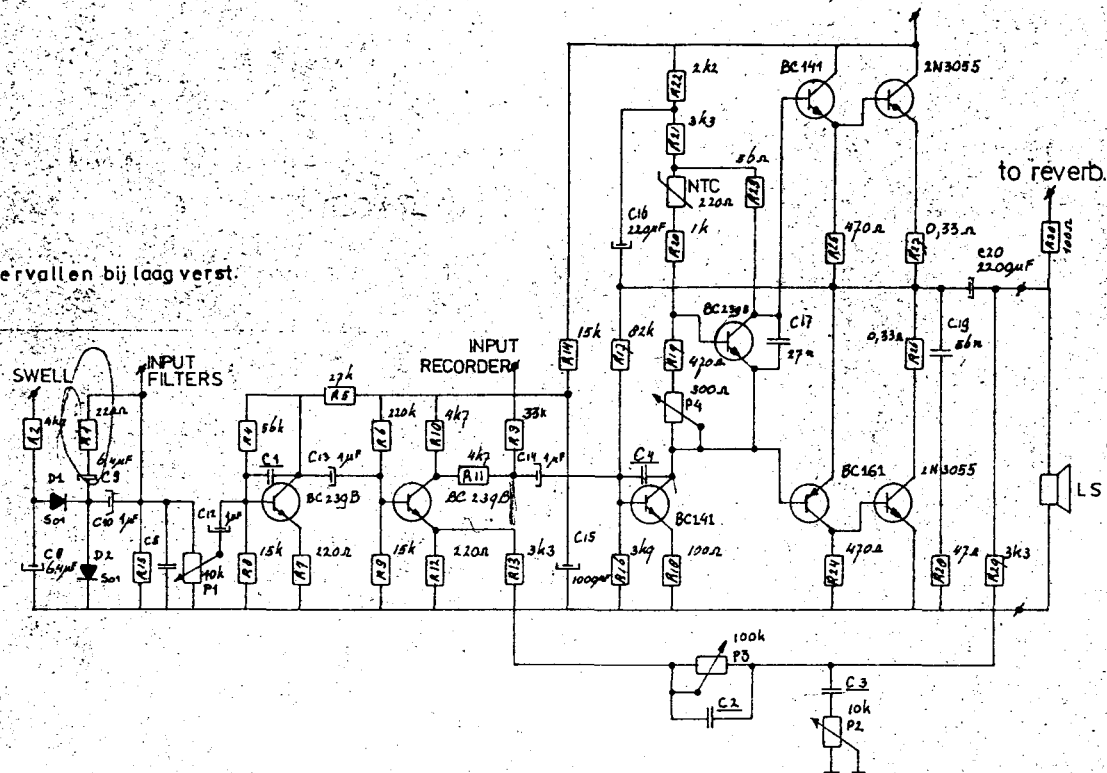


- ▶ D : Sot
- R : serie 1150
- C : serie 650
- E : serie 130
- L : serie 030

FILTER MAN III				JOHANNUS ORGEL	
date	design	drawn	modified	Type: H - 3	
21-6-'74	J.Versteegt	G.J.Stoffer			
copyright J.Versteegt				ELECTRONIUM	
				Tuinstraat 10 Vaandrdaal, Holland	
				Tel: 08395 10220	
				page: 18	

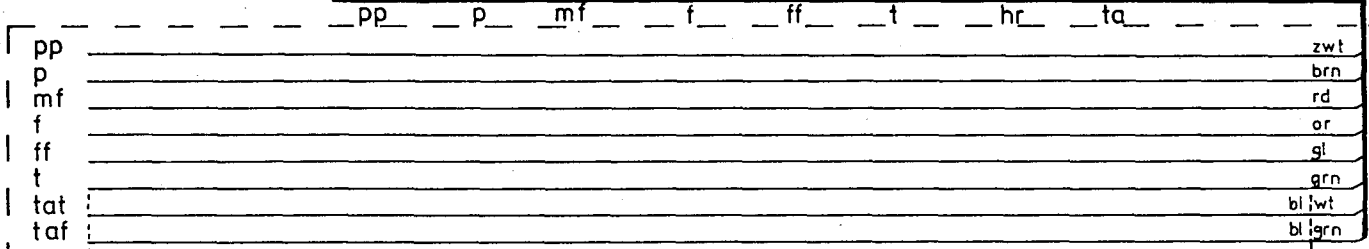
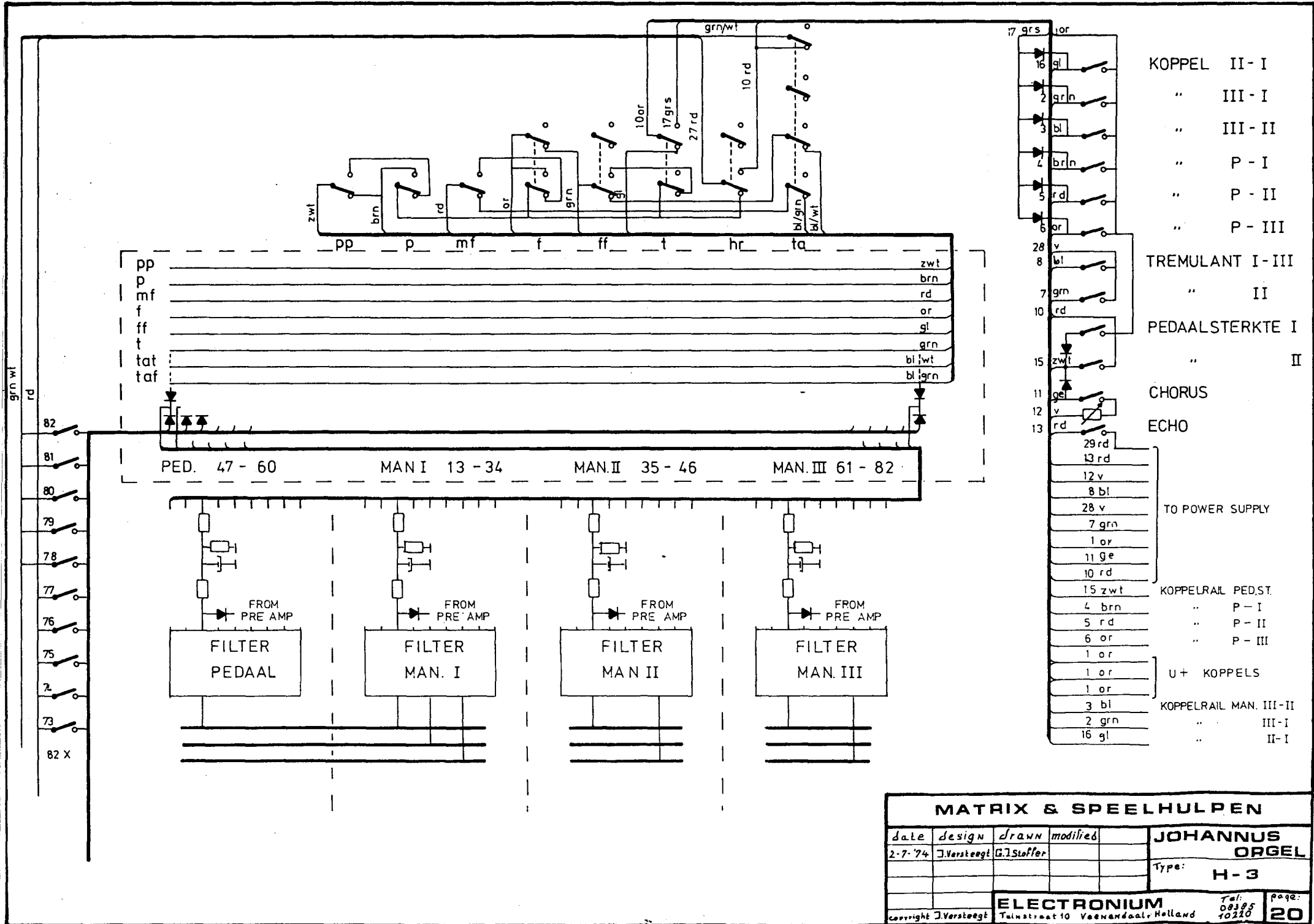
		C1	C2	C3	C4	C5	R15
MANUAAL I	H	560pF	150n	47n	880pF	1n	4k7
"	M	272	150n	100n	1n5	1n	4k7
"	L	477	100n	330n	670p	1n	4k7
MANUAAL II	H	1n	220n	150n	470pF	1n	4k7
"	M						
"	L	660pF	150n	150n	30n	1n	4k7
MANUAAL III	H	560pF	60n	47n	220pF	1n	4k7
"	M						
"	L	560pF	100n	150n	477	1n	4k7
REVERB							
REVERB							

R1+C9 vervallen bij laag verst.



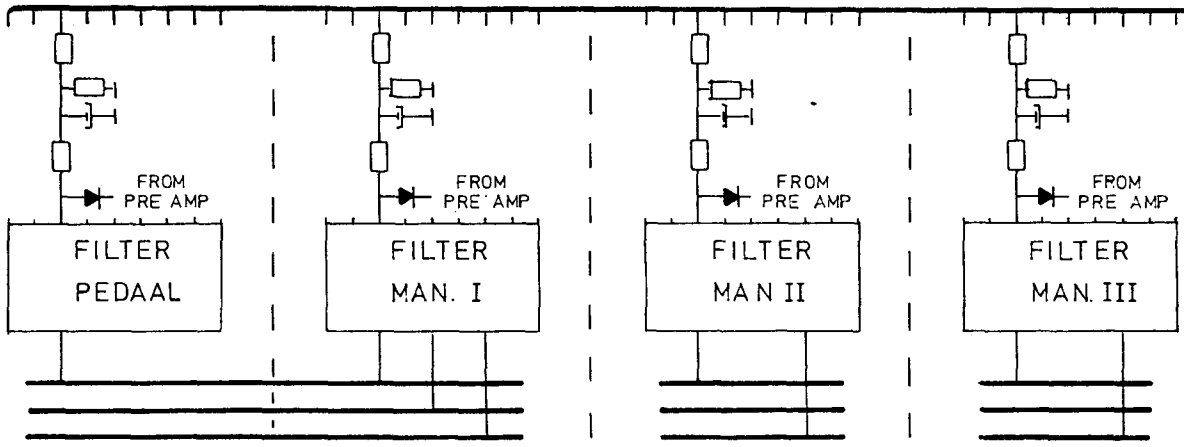
R : serie 1500
 C : serie 800
 E : serie 100

UNIVERSAL AMPL. CIRC.				
DATE	DESIGN	DRAWN	MODIFIED	JOHANNUS ORGEL
26-6-74	J. Versteeg	G.J. Stoffer		
				Type: H-3
ELECTRONIUM				page: 19
copyright J. Versteeg Tuinstraat 10, Veenendaal, Holland				Tel: 08405 10110



- 17 grs. or
- 16 gl. KOPPEL II - I
- 2 grn. " III - I
- 3 bl. " III - II
- 4 brn. " P - I
- 5 rd. " P - II
- 6 or. " P - III
- 28 v
- 8 bl. TREMULANT I - III
- 7 grn. " II
- 10 rd. PEDAALSTERKTE I
- 15 zwt. " II
- 11 ge. CHORUS
- 12 v. ECHO
- 13 rd.
- 29 rd.
- 13 rd.
- 12 v.
- 8 bl.
- 28 v. TO POWER SUPPLY
- 7 grn.
- 1 or.
- 11 ge.
- 10 rd.
- 15 zwt. KOPPELRAIL PED.ST.
- 4 brn. " P - I
- 5 rd. " P - II
- 6 or. " P - III
- 1 or. U+ KOPPELS
- 1 or.
- 3 bl. KOPPELRAIL MAN. III - II
- 2 grn. " III - I
- 16 gl. " II - I

PED. 47 - 60 MAN I 13 - 34 MAN II 35 - 46 MAN III 61 - 82



MATRIX & SPEELHULPEN				
date	design	drawn	modified	JOHANNUS ORGEL
2-7-'74	J.Versteegt	G.J.Stoffer		
				Type: H-3
ELECTRONIUM				Tel: 08385
Copyright J.Versteegt				10220
Tuinstraat 10				page: 20
Veenendaal, Holland				